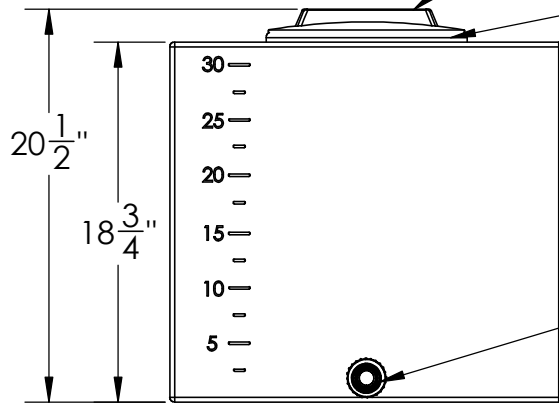


8" Closed Non-vented Lid #970325

8" Lid Ring with Gasket #970326

3/4" Bulkhead PP Fitting #970233



Natural Rectangular Utility Tank w/ Fitting & Gasketed Ring & Lid



1390 Neubrecht Road
Lima, Ohio 45801

STOCK NO.
23709, 23711, 23712

REV
A

DO NOT SCALE DRAWING

WEIGHT: 24 lbs.

DIMENSIONS ARE IN INCHES TOLERANCE: ± 1/4"		DRAWN	NAME	DATE
MATERIAL LLDPE - FDA resin		APPROVED	NJV	5/1/24
CAPACITY 30 Gallon		REVISIONS		
GRADUATIONS 2.5 Gallon		COMMENTS:		
NOMINAL WALL THICKNESS 3/16"		Natural, Black, Blue UV Stabilized		

PROPRIETARY AND CONFIDENTIAL

THE INFORMATION CONTAINED IN THIS DRAWING IS THE SOLE PROPERTY OF TAMCO. ANY REPRODUCTION IN PART OR AS A WHOLE WITHOUT THE WRITTEN PERMISSION OF TAMCO IS PROHIBITED.

MAX. OPERATING TEMP. 140°F
INTERMITTENT SERVICE TO 160°F
SEE CHEMICAL RESISTANCE
CHART FOR COMPATIBILITY